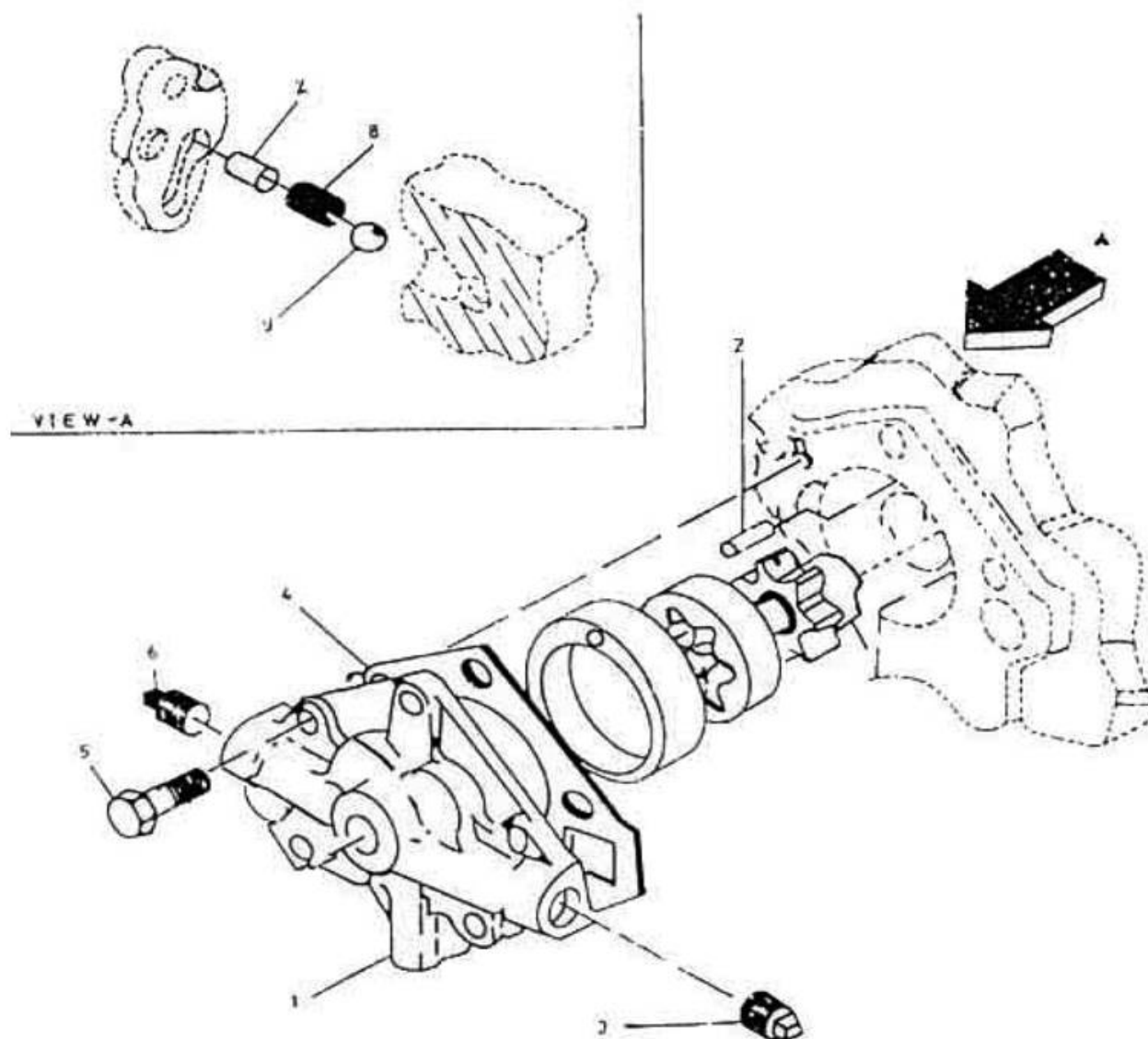


## 6. Assembly Oil Pump Cover - Model 7 x 5 LUB



All manufacturer's names, numbers, photos, product description and/or part numbers are used for reference purposes only & it is not implied that any part listed is the product of these manufacturers. Since Approvement are made from time to time, the illustration and specifications are subject to change without notice.

## 6. Assembly Oil Pump Cover - Model 7 x 5 LUB

COMPRESSOR PARTS LIST						
ASSEMBLY NAME : ASSEMBLY OIL PUMP COVER						
ASSEMBLY DRAWING : FIG-1D						
SR. NO.	DESCRIPTION	PART NO.	QTY	UNIT	LLUS NO.	RECOM. SPARES QTY.
1	COVER OIL PUMP WITH BUSH	3986 3683	1	NO.	1	
2	DOWEL PIN - OIL PUMP 1/4" X 1"	9503 3825	1	NO.	7	
3	PLUG PIPE SQ. HD 1/2"	9503 3619	1	NO.	3	
4	GASKET COVER OIL PUMP	3020 5280	1	NO.	4	1
5	BOLT HEX HEAD 7/16" X 1"	9510 4006	5	NO.	5	
6	PLUG COUNTER SHUNK 3/8"	9510 1705	1	NO.	6	
7	PIN ROLL 5/16" X 1"	9509 8653	1	NO.	2	
8	SPRING VALVE RELIEF	3050 8741IM	1	NO.	8	1
9	BALL RELIEF VALVE 1/2"	9522 6627	1	NO.	9	1

All manufacturer's names, numbers, photos, product description and/or part numbers are used for reference purposes only & it is not implied that any part listed is the product of these manufacturers. Since Approvement are made from time to time, the illustration and specifications are subject to change without notice.